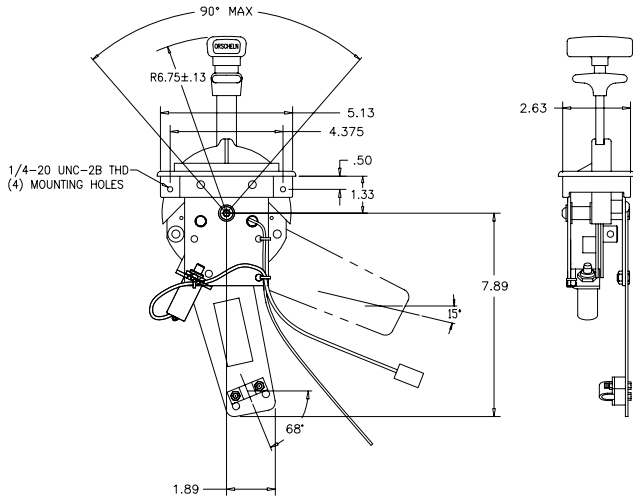
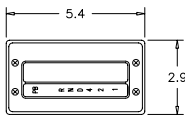
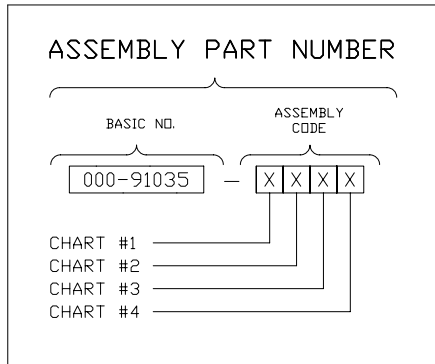
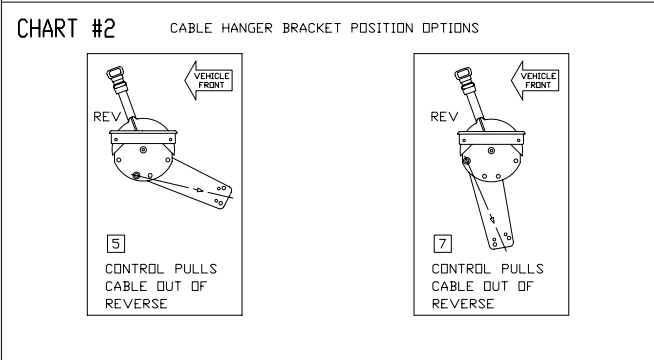
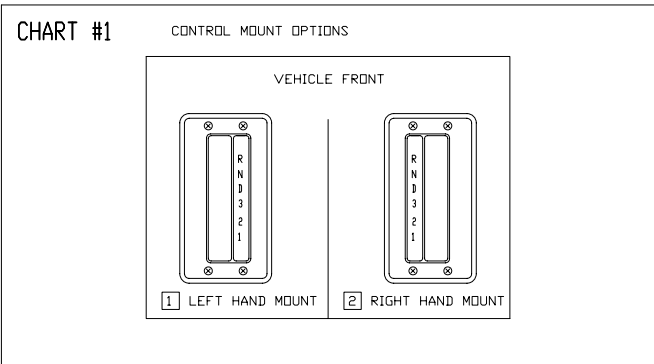




# ALLISON 1000/2000 SHIFT SYSTEM

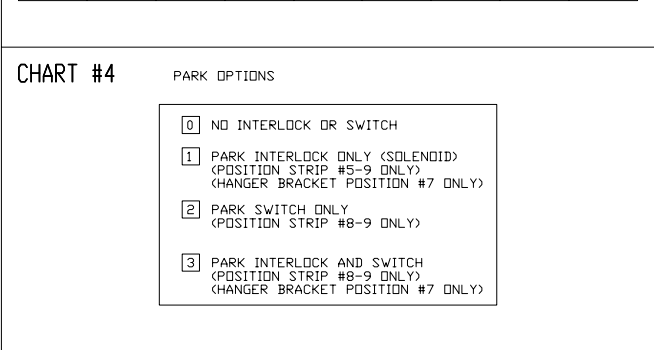


PICTURE SHOWN WITH INTERLOCK (PARK SOLENOID)



**CHART #3 POSITION STRIP OPTIONS**

R N D 3 2 1	R N D 3 2 1	R N D 3 2 1	R N D 4 3 1	P R N D 3 2 1	P R N D 4 3 1	P R N D 3 2 1	PB R N D 3 2 1	PB R N D 3 2 1
1	2	3	4	5	6	7	8	9



**CABLE 100-04333-LGTH**

STANDARD PUSH-PULL CABLE.  
 3 INCH TRAVEL, CLAMP STYLE ENDS.  
 ALL STEEL PARTS ARE PLATED OR STAINLESS STEEL.

**TRANSMISSION KIT 000-59534-0000**

ONE KIT FOR PARK AND NON-PARK OPTION.  
 ALL PARTS ARE PLATED STEEL.  
 INCLUDES ALL ATTACHMENT HARDWARE.  
 LEVER HOLES IDENTIFIED FOR PARK OPTION.

